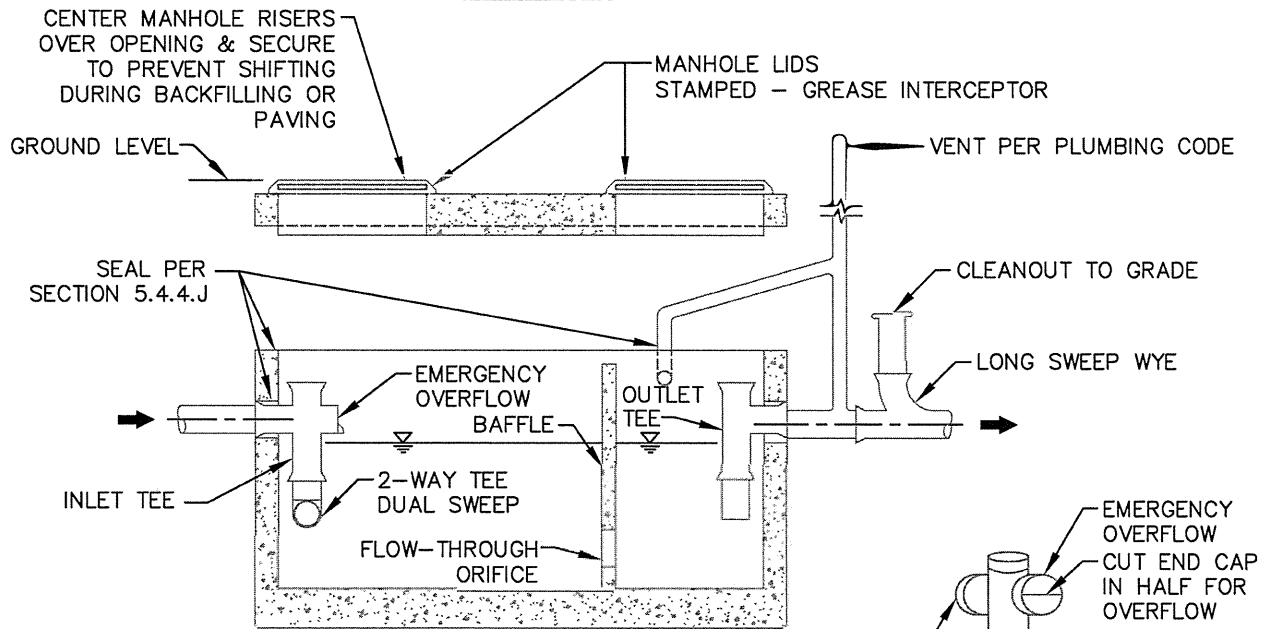
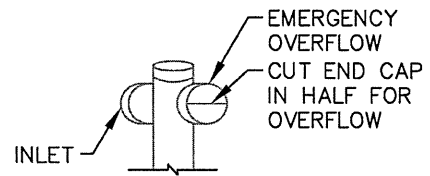


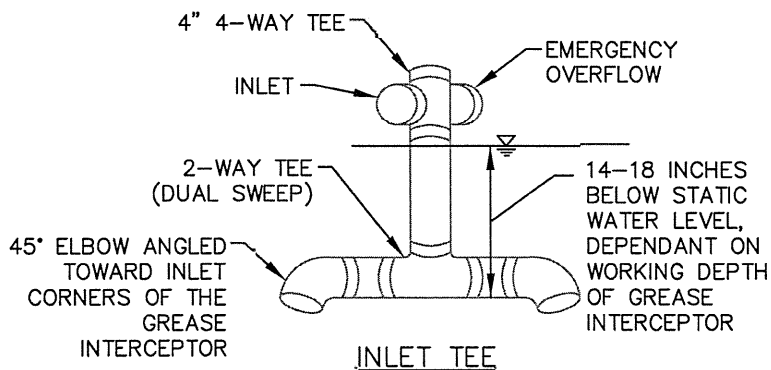
PLAN VIEW



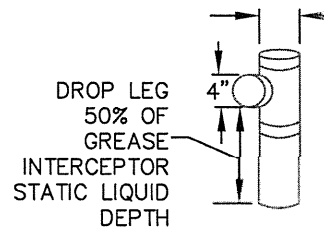
SECTION VIEW



EMERGENCY OVERFLOW



INLET TEE



OUTLET TEE

NOTES:

1. REFER TO SECTION 5.4.4 FOR ADDITIONAL REQUIREMENTS.
2. TRAFFIC RATED INTERCEPTOR IS REQUIRED IN TRAFFIC AREAS.
3. ACTUAL CONFIGURATION OF INTERCEPTOR MAY VARY BETWEEN MANUFACTURERS.
4. DESIGNER SHOULD CHECK WITH SUPPLIER FOR EXACT DIMENSIONS
5. DRAWING NOT TO SCALE.

TYPICAL GREASE INTERCEPTOR



CITY OF LOVELAND  
DEPARTMENT OF  
WATER AND POWER

W/WW CONSTRUCTION  
DRAWINGS

DATE APPROVED: 08/07

DATE REVISED: 2017

8TH EDITION

DRAWING  
WW-8