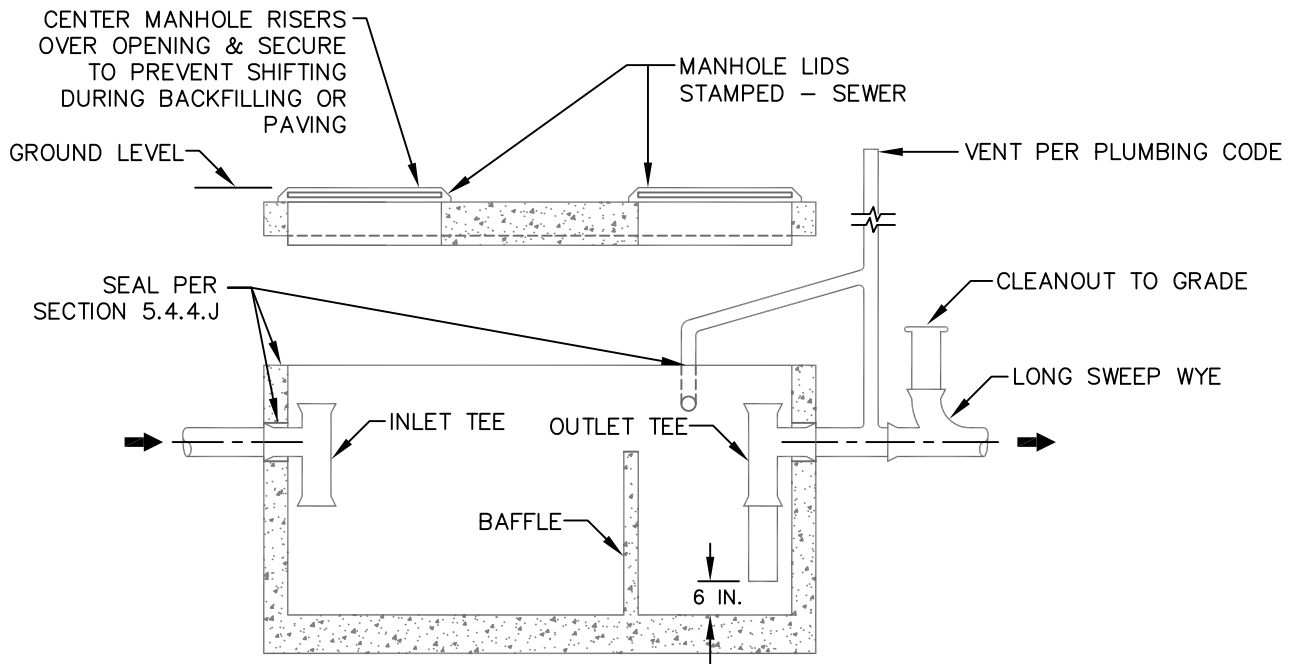


PLAN VIEW



SECTION VIEW

NOTES:

1. REFER TO SECTION 5.4.4 FOR MORE INFORMATION
2. TRAFFIC RATED INTERCEPTOR IS REQUIRED IN TRAFFIC AREAS.
3. ACTUAL CONFIGURATION OF INTERCEPTOR MAY VARY BETWEEN MANUFACTURERS.
4. DESIGNER SHOULD CHECK WITH SUPPLIER FOR EXACT DIMENSIONS
5. DRAWING NOT TO SCALE.

TYPICAL SAND & OIL INTERCEPTOR



CITY OF LOVELAND
DEPARTMENT OF
WATER AND POWER

W/WW CONSTRUCTION
DRAWINGS

DATE APPROVED: 08/07

DATE REVISED: 2017
8TH EDITION

DRAWING
WW-9